

PROJECT:

SCHEDULE:

DATE:

PREPARE BY:

NOTES:

## DESCRIPTION

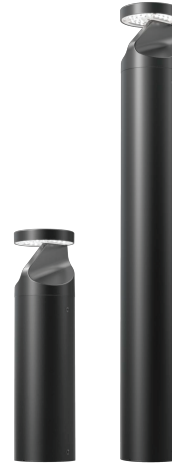
CEBL02 a slim and creative bollard, catching our eyes with its unique aesthetic design, helps lighting up your project space. Intelligent control like PIR sensor saves energy bills. IP66 and IK10 rated, also with its UV resistant polycarbonate optical lens, ideals for various outdoor applications.

## APPLICATIONS

Gardens, Pathways, Sidewalk, Building entrance

## FEATURES

- 15W/25W, system efficacy up to 105lm/W
- IP66 and IK10
- PIR sensor and DALI available
- Professional Type IV / Type V lighting distribution
- 0.5 and 1.0 m height optional



Rated Life: Hours upto  
210,000hrs  
Warranty: 5 Years

## NEW FEATURES

*\*Please consult us for details.*

## ELECTRICAL INFORMATION

MODEL NO	CEBL02-015	CEBL02-025
Power Consumption ( ±10%)	15W	25W
Power Supply	Becky/Weledpower	
Input Voltage	120-277 Vac , 50 / 60 Hz	
Power Factor	>0.9	
Surge Protection	2kV line-line, 4kV line-earth / 4kV line-line, 6kV line-earth	
Driver Type	Constant Current (CC)	
Control	0-10V dimmable, Photocell control	
Note	NA	

## OPTIC INFORMATION

LED type	LED 3030	
<b>Luminous Flux (±10%)</b>	1650lm(R02001)/ 1575lm(R02002)	2750lm(R02001)/ 2625lm(R02002)
<b>Efficacy (4000K Ra70)</b>	110lm/W(R02001)/ 105lm/W(R02002)	110lm/W(R02001)/ 105lm/W(R02002)
<b>Color Temperature</b>	5000K (3000K, 4000K optional)	
<b>Color Rendering Index</b>	Ra70	
<b>Beam Angle</b>	R02001(Type V), R02002(Type IV)	
<b>UGR level</b>	NA	

## DIMENSIONS AND MOUNT

<b>Product Dimension</b>	19.69 inch: $\Phi 135 \times 500$ mm ( $\Phi 5.31" \times 19.69"$ )	43 inch: $\Phi 135 \times 1092$ mm ( $\Phi 5.31" \times 43"$ )
<b>Luminaire Net</b>	19.69 inch: 3.8kg (8.38Lbs)	43 inch: 5.7kg (12.57Lbs)
<b>Export Carton Size mm(inch)</b>	Full-assembled 19.69 inch: 650×225×230mm (25.59"×8.86"×9.06")	Full-assembled 43 inch: 1240× 225×230mm (48.82"×8.86"×9.06")
<b>Gross Weight (±0.3kg/0.66Lbs)</b>	Full-assembled 19.69 inch: 4.5kg (9.92Lbs)	Full-assembled 43 inch: 6.7kg (14.77Lbs)
<b>Mounting Option</b>	Mounting kit with anchor bolts	
<b>Export Carton Size (Separated package) Heading: 410×210×220mm (16.14"×8.27"×8.66")</b>	Bollard 19.69 inch: 505×225×230mm (19.88"×8.86"×9.06")	Bollard 43 inch: 1095×225× 230mm (43.11"×8.86"×9.06")
<b>Gross Weight (Separated package) (±0.3kg/±0.66Lbs)</b>	Heading: 2.5kg (5.51Lbs) Bollard 19.69 inch: 2.4kg (5.29Lbs)	Bollard 43 inch: 4.6kg (10.14Lbs)
<b>Material</b>	Aluminum Alloy	
	Polycarbonate optical lens	
<b>Finish</b>	Powder Coating	
<b>Fixture Color</b>	Black (RAL 9017)	
<b>EPA</b>	NA	
<b>IK Rating</b>	IK10	
<b>IP Rating</b>	IP66	

## LIFESPAN AND WARRANTY

**Operating Temperature** -30°C to + 50°C (-22°F to 122°F)

**Life Time of LED  
@Ta=25°C**

57,000hrs-L90

130,000hrs-L80

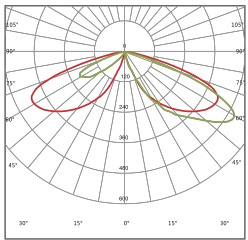
210,000hrs-L70

**Warranty**

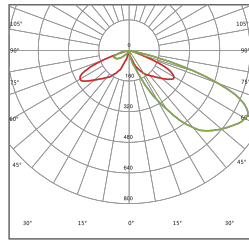
5 Years

## PHOTOMETRY

15W beam angle

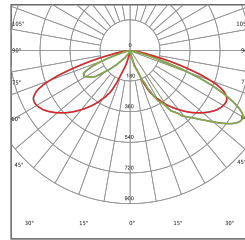


R02001

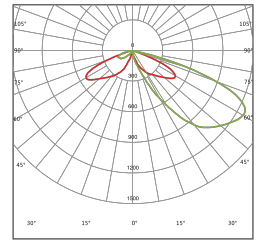


R02002

25W beam angle



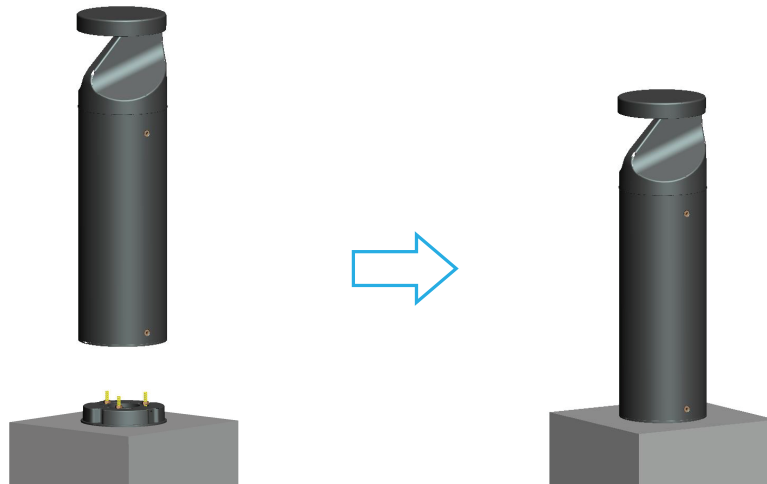
R02001



R02002

## MOUNTING OPTIONS

**Mounting kit with anchor bolts**



## DIMENSIONS

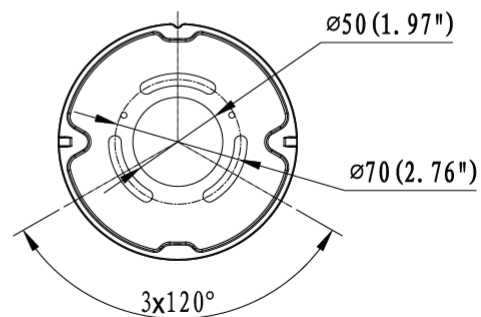
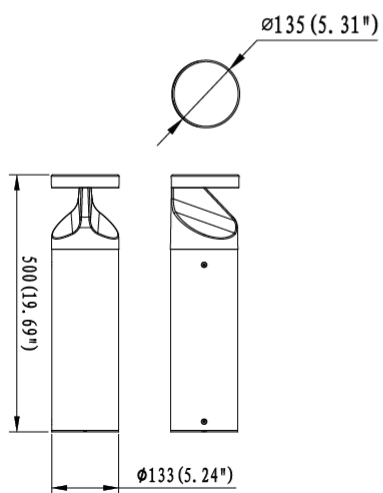
19.69 inch 15W/25W

43 inch 15W/25W

∅135 (5.31")

Base plate template

Unit:mm/inch



## ACCESSORIES



**Backfilled Anchor**  
**Q235 +SPCC, hot dip galvanizing**  
**∅130x508mm.**

Code: MT-B01-03